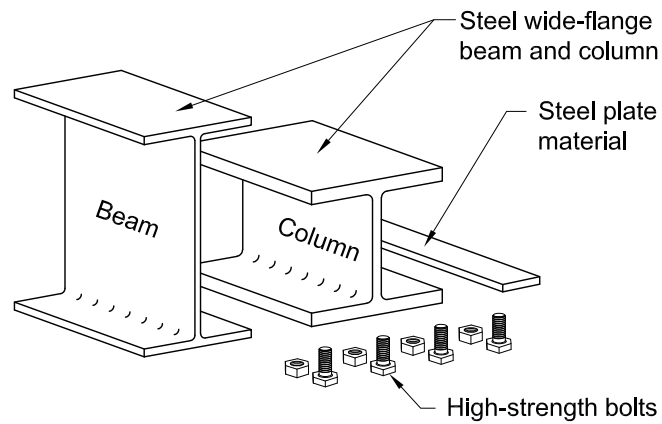
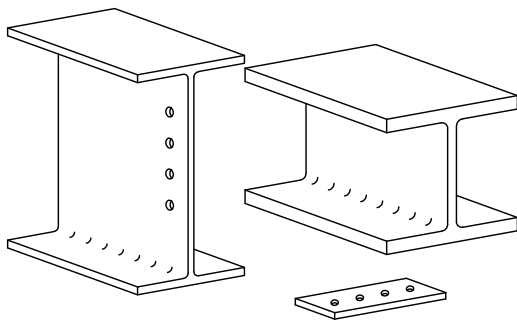


Single Plate Connections

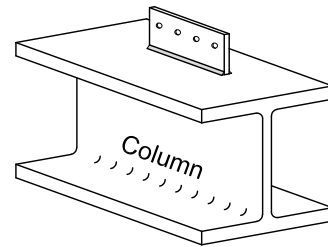
Materials



In the Fabrication Shop

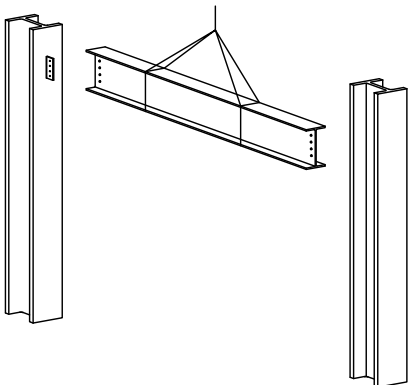


Material cut to length. Holes are drilled or punched.

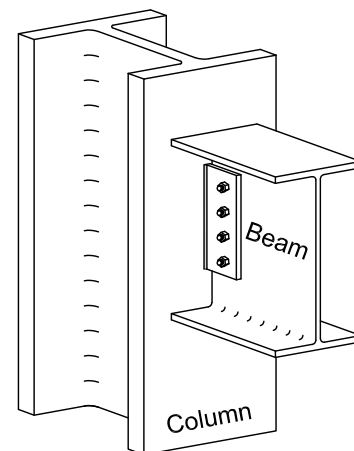


The plate is welded to the column.

At the Project Site



The beam is lifted in place by a crane. Ironworkers will align the beam and install the connection bolts.



The final installed connection.