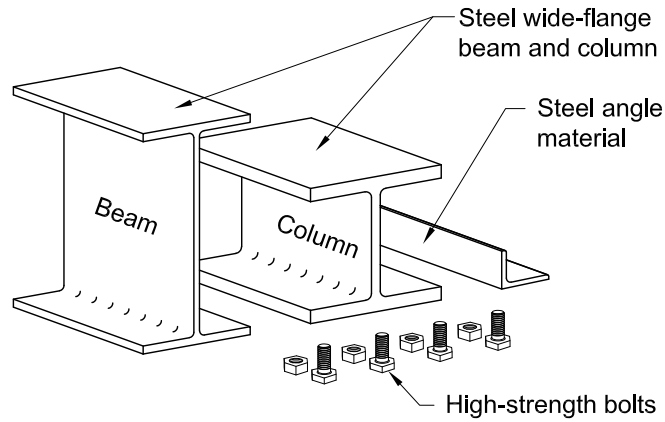
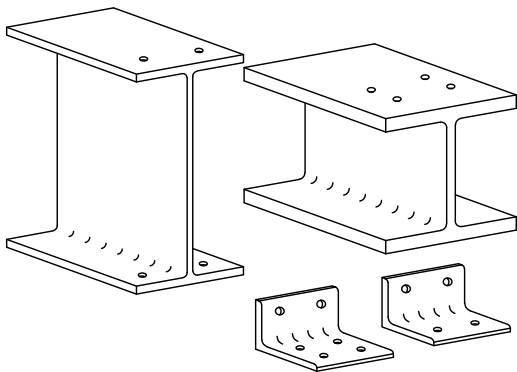


Seat Connections

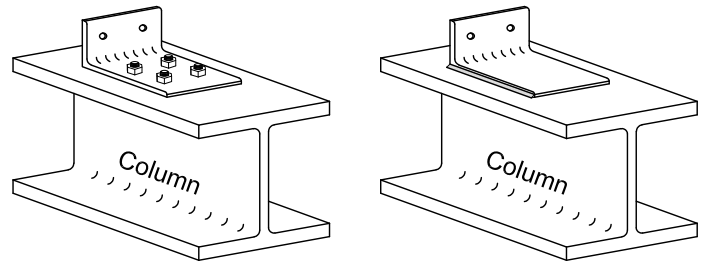
Materials



In the Fabrication Shop

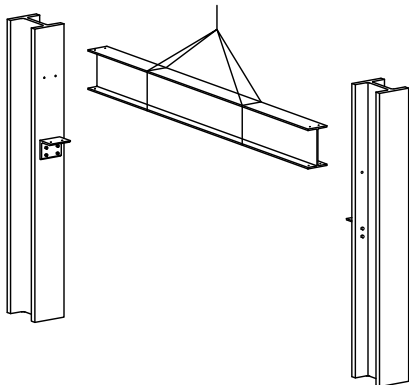


Material cut to length. Holes are drilled or punched.

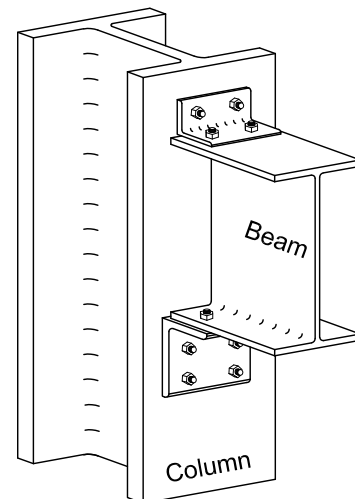


The angle is bolted or welded to the column.

At the Project Site



The beam is lifted in place by a crane. Ironworkers will align the beam and install the top angle and connection bolts.



The final installed connection.