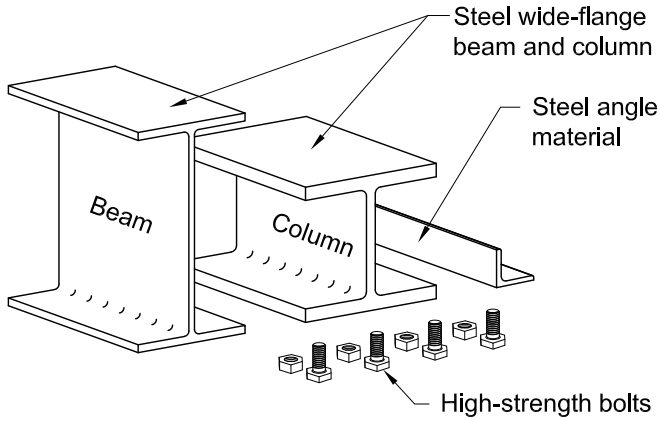
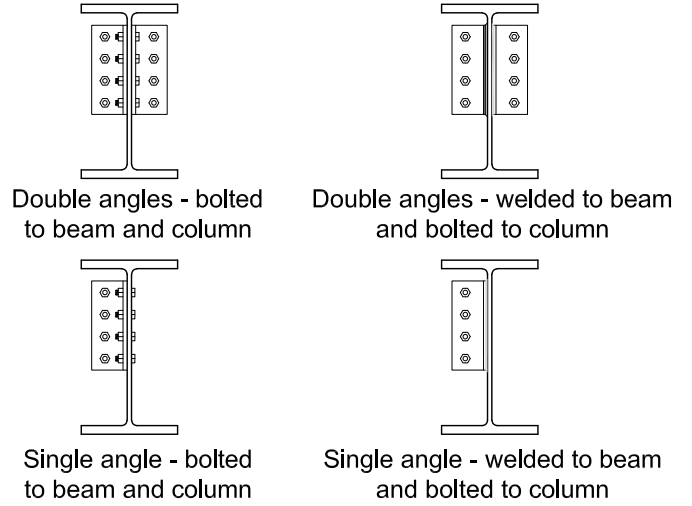


Angle Connections

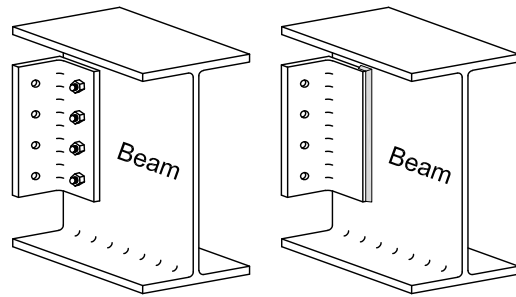
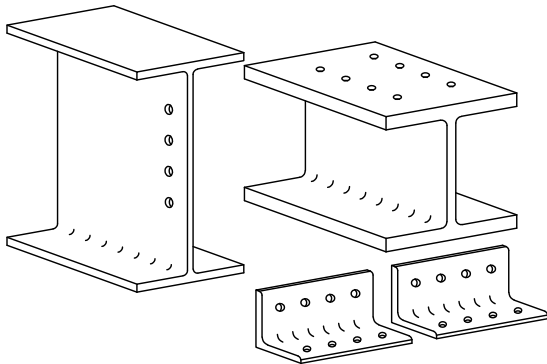
Materials



Configurations



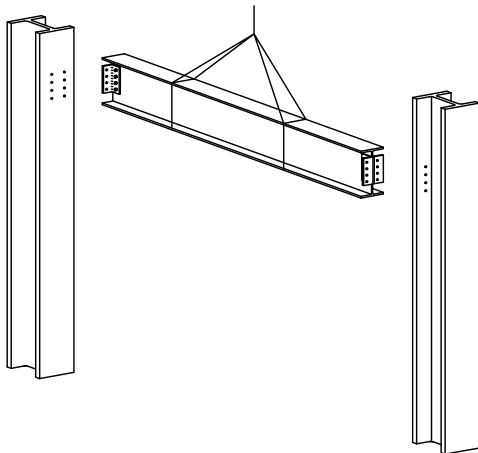
In the Fabrication Shop



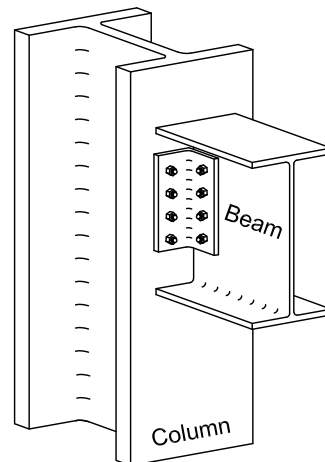
Material cut to length. Holes are drilled or punched.

Angles are either bolted or welded to the beam.

At the Project Site



The beam is lifted in place by a crane. Ironworkers will align the beam and install the connection bolts.



The completed connection.